

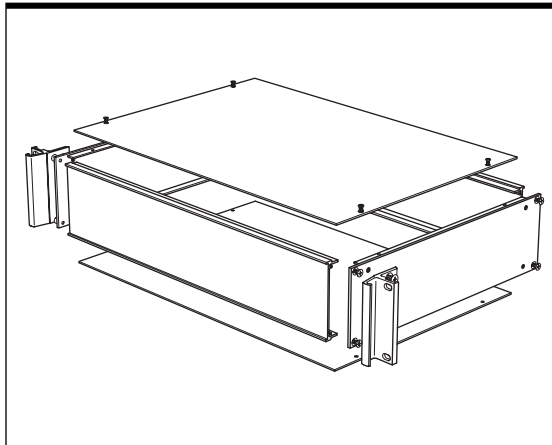
B Style GrayBox™ Enclosures

Technical Data



Screw-on cover design
for rack-mounted or free-standing applications

WEB/FAX DOCUMENT



B Style Exploded View

Standard sizes: Below
Drawings/dimensions: Pages 2-4
Extrusion cross sections: Page 3
Materials/finishes: Pages 2-3

Standard sizes:
 B Style is available from stock in 81 standard sizes as tabulated below. Enclosures for 23-inch racks or other nonstandard sizes are made to order.

Inch Dimensions (in)

	HEIGHT	1U = 1.72			2U = 3.47			3U = 5.22		
		FR	HR	QR	FR	HR	QR	FR	HR	QR
DEPTH	6	•	•	•	•	•	•	•	•	•
	8	•	•	•	•	•	•	•	•	•
	10	•	•	•	•	•	•	•	•	•
	12	•	•	•	•	•	•	•	•	•
	14	•	•	•	•	•	•	•	•	•
	16	•	•	•	•	•	•	•	•	•
	18	•	•	•	•	•	•	•	•	•
	22	•	•	•	•	•	•	•	•	•

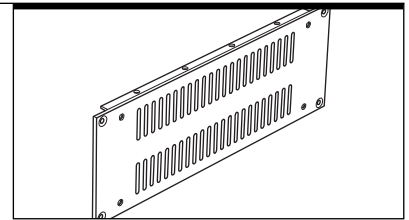
Metric Dimensions (mm)

	HEIGHT	1U = 43.7mm			2U = 88.1mm			3U = 132.6mm		
		FR	HR	QR	FR	HR	QR	FR	HR	QR
DEPTH	152.4	•	•	•	•	•	•	•	•	•
	203.2	•	•	•	•	•	•	•	•	•
	254.0	•	•	•	•	•	•	•	•	•
	304.8	•	•	•	•	•	•	•	•	•
	355.6	•	•	•	•	•	•	•	•	•
	406.4	•	•	•	•	•	•	•	•	•
	457.2	•	•	•	•	•	•	•	•	•
	508.0	•	•	•	•	•	•	•	•	•
558.8	•	•	•	•	•	•	•	•	•	

Sides:

Choice of standard, vented standard, or optional ribbed (B2 only). Vented side is shown.

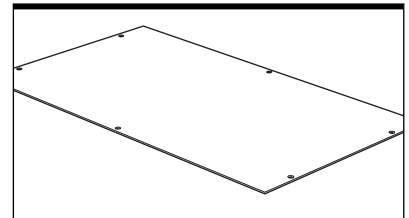
Page 3



Covers:

Choice of standard 4-hole or optional 6-hole. 6-hole shown.

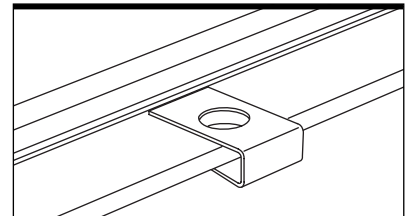
Page 2



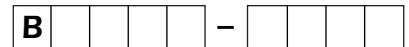
Fasteners:

Choice of standard speednuts (shown) or optional captive nuts.

Page 5



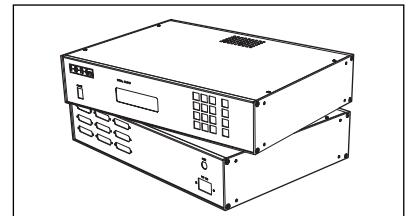
Model Number Designation:



Model numbers for standard enclosures.

Model numbers for customized enclosures and parts.

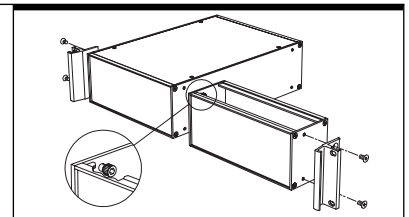
Page 5



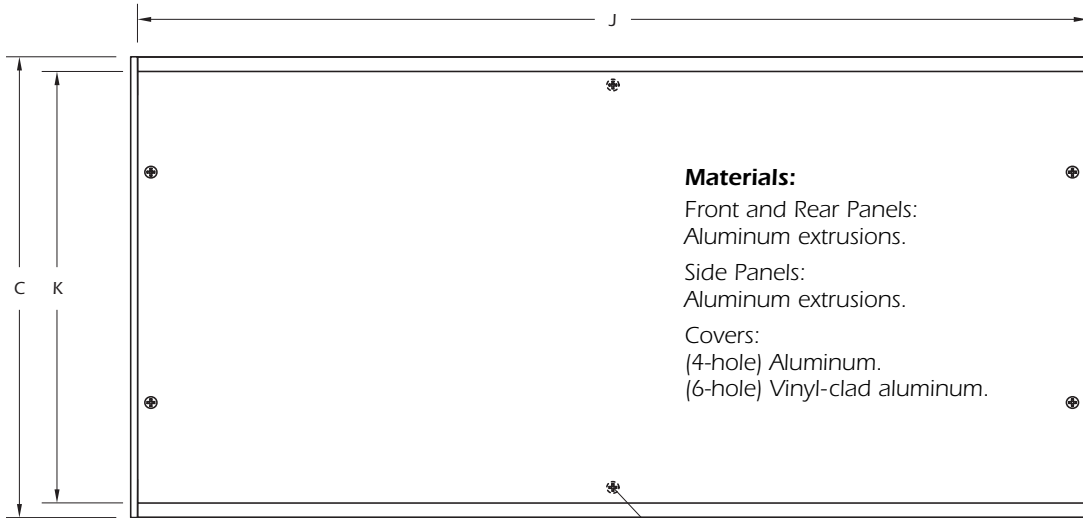
Accessories:

- Rack Mounting Kits.
- Rack Adapter Kits.
- Coupling Screws.
- Non-Skid Feet.

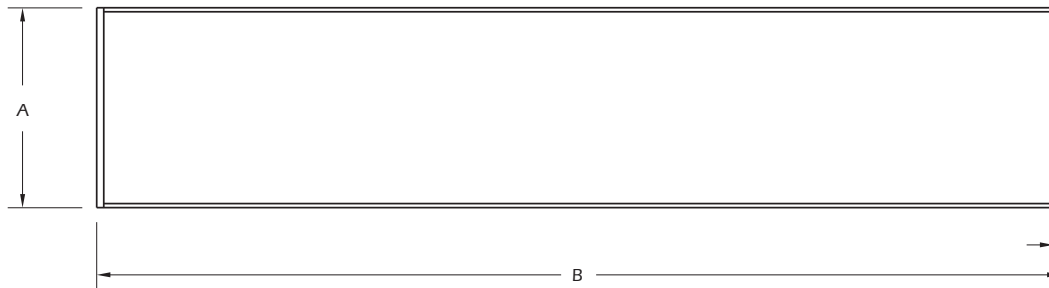
Page 6



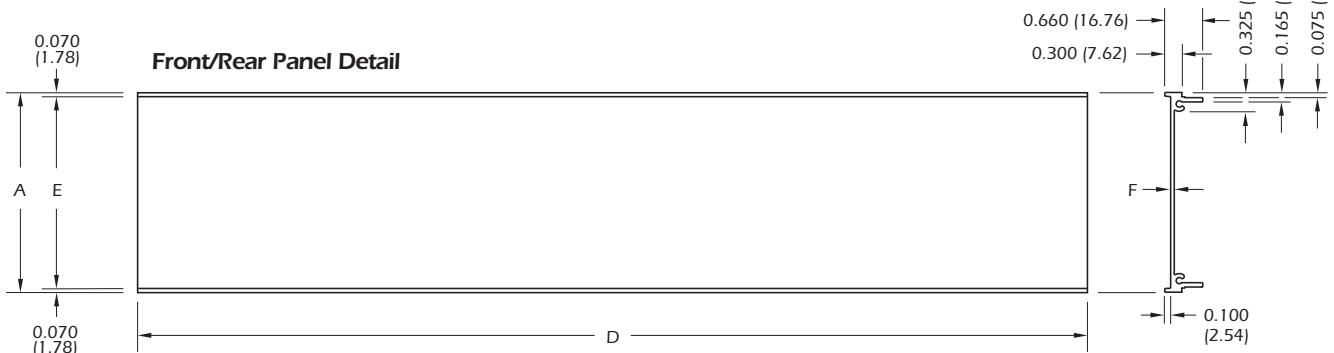
Top View



Front View



Front/Rear Panel Detail



Drawing shown is a B2F08 enclosure.

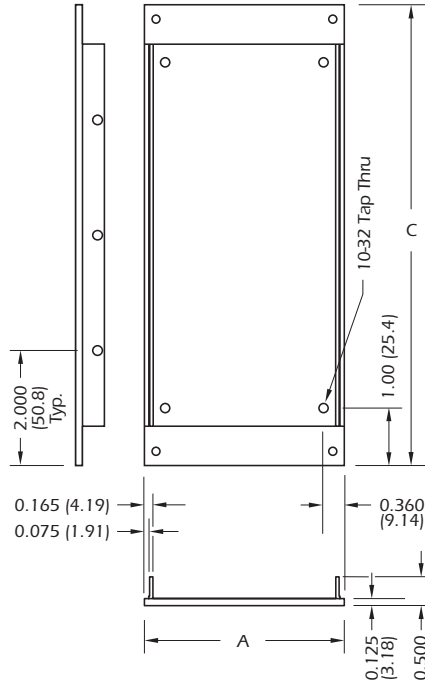
Technical Support

Contact us for assistance and answers to your questions. See page 6 for contact information.

Side View

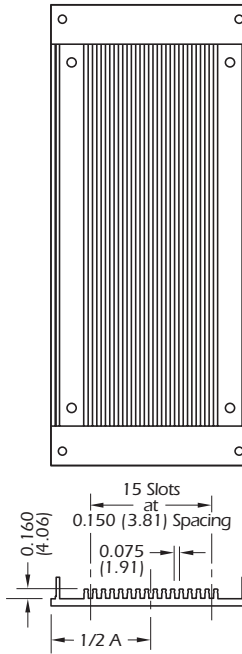


Side Panel Detail (inside view)



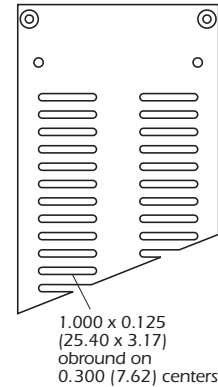
Ribbed Side Panel Detail (inside view)

Available B2 only.



Side Panel with Optional Vent Pattern

B2 Side (shown)



Note: B1 sides have one row of slots. B2 and B3 have two rows of slots.

Materials:

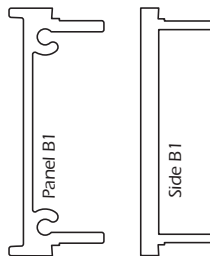
Front and Rear Panels: Aluminum extrusions.

Side Panels: Aluminum extrusions.

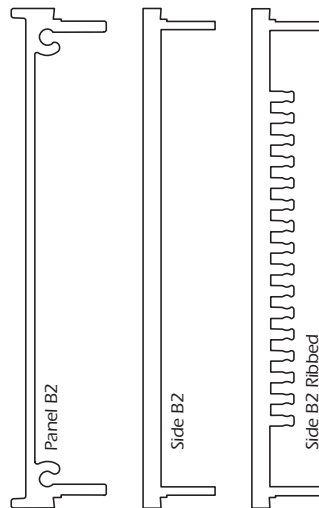
Covers: (4-hole) Aluminum. (6-hole) Vinyl-clad aluminum.

B Style Extrusions

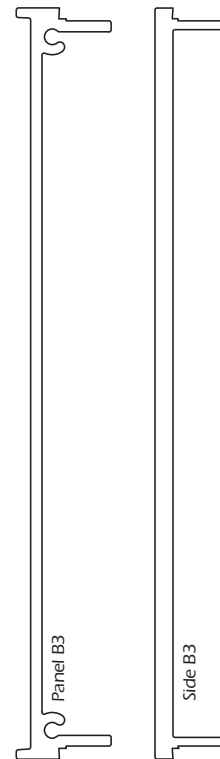
B1 Sizes



B2 Sizes



B3 Sizes



Technical Support

Contact us for assistance and answers to your questions. See page 6 for contact information.

Inch Dimensions (in)

Style	A (Height)	B (Width)			C (Depth)	F (Panel Thickness)
		Full Rack	Half Rack	Quarter Rack		
B1	1.72	16.73	8.37	4.18	6.00 to 22.00 in 2-inch increments	0.060
B2	3.47					0.065
B3	5.22					0.080

Note: Dimensions shown above are stock sizes. Dimensions B and C can be varied to meet customer requirements.

Interior Height	"A" minus 0.150
Interior Width	"A" minus 0.250
Interior Depth	B1 "C" minus 0.320
	B2 "C" minus 0.330
	B3 "C" minus 0.360

Note: Extrusions extend slightly into corner areas. See Drawings.

Dim	Descriptions	Calculations
A	Enclosure Height	See Table 1
B	Enclosure Width	See Table 1
C	Enclosure Depth	See Table 1
D	Panel Width	"B" minus 0.240
E	Panel Height between Flanges	"A" minus 0.140
F	Panel Thickness	See Table 1
J	Cover Width (Top or Bottom)	"B" minus 0.280
K	Cover Depth	"C" minus 0.630
T	Cover Thickness	0.063

Overlay Height	"A" minus 0.160
Overlay Width	"B" minus 0.250

Metric Dimensions (mm)

Style	A (Height)	B (Width)			C (Depth)	F (Panel Thickness)
		Full Rack	Half Rack	Quarter Rack		
B1	43.69	424.94	212.60	106.17	152.4 to 558.8 in 50.8 mm increments	1.52
B2	88.14					1.65
B3	132.59					2.03

Note: Dimensions shown above are stock sizes. Dimensions B and C can be varied to meet customer requirements.

Interior Height	"A" minus 3.81
Interior Width	"A" minus 6.35
Interior Depth	B1 "C" minus 8.13
	B2 "C" minus 8.38
	B3 "C" minus 9.14

Note: Extrusions extend slightly into corner areas. See Drawings.

Dim	Descriptions	Calculations
A	Enclosure Height	See Table 1
B	Enclosure Width	See Table 1
C	Enclosure Depth	See Table 1
D	Panel Width	"B" minus 6.10
E	Panel Height between Flanges	"A" minus 3.56
F	Panel Thickness	See Table 1
J	Cover Width (Top or Bottom)	"B" minus 7.11
K	Cover Depth	"C" minus 16.00
T	Cover Thickness	1.60

Overlay Height	"A" minus 4.06
Overlay Width	"B" minus 6.35

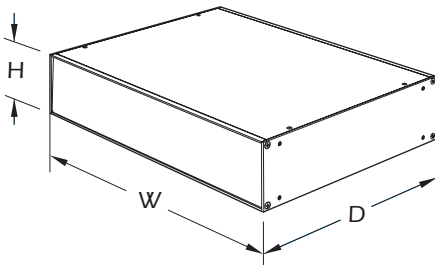
Due to our continuing efforts to enhance our products, we reserve the right to change specifications without notice or obligation.



Model Numbers for Standard Enclosures:

Make your selections for sides, covers, fasteners and finish. Transfer the alpha-numeric codes to the appropriate boxes in the model number below. The resulting model number completely specifies the B Style GrayBox of your choice. The price of this model number can be found on pages 1-2 of our separate GrayBox Price List. Ordering information can be found on page 6 of that same document.

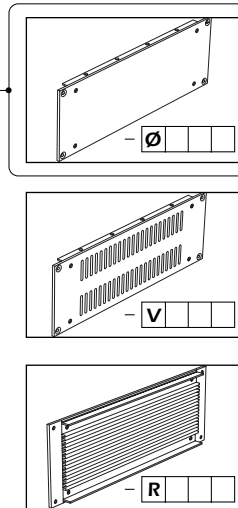
Product Dimensions



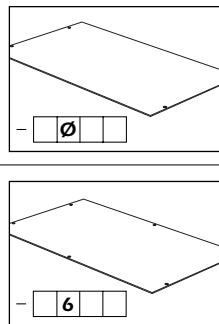
Base Configuration

The concept of the base configuration has been created to simplify pricing. If the enclosure consists only of choices from these interconnected boxes, then the price is simply the price shown in the base configuration column of the price list. If the enclosure consists of choices from outside the base configuration boxes, then the price is that of the base configuration plus the marginal cost of the options chosen.

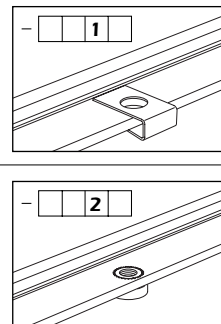
Side Choices



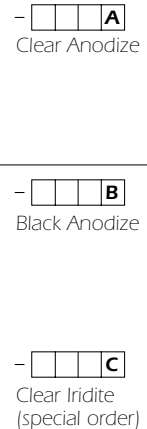
Cover Choices



Cover Fastener Choices



Finish Choices



Dimensions - inch (mm)		
Height	Width	Depth
1 = 1 Rack Unit 1.72 (43.7)	F = Full Rack 16.73 (424.9)	06 = 6.00 (152.4)
2 = 2 Rack Units 3.47 (88.1)	H = Half Rack 8.37 (212.6)	08 = 8.00 (203.2)
3 = 3 Rack Units 5.22 (132.6)	Q = Quarter Rack 4.18 (106.2)	10 = 10.00 (254.0)
		12 = 12.00 (304.8)
		14 = 14.00 (355.6)
		16 = 16.00 (406.4)
		18 = 18.00 (457.2)
		20 = 20.00 (508.0)
		22 = 22.00 (558.8)

Side Choices
Base Configuration Ø = Standard
Options V = Vented standard R = Ribbed (available on B2 only)

Cover Choices
Base Configuration Ø = 4-Hole (standard)
Option 6 = 6-Hole

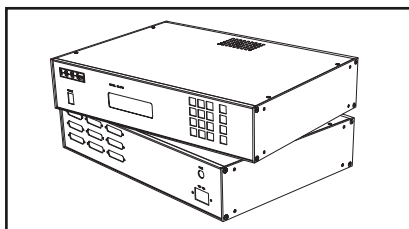
Cover Fastener Choices
Base Configuration 1 = Speednuts
Option 2 = Captive Nuts (replace speednuts)

Finish Choices
Base Configuration A = Clear Anodize
Options B = Black Anodize C = Clear Iridite*
* Special order

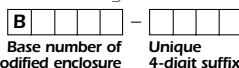


Rack mounting kits are optional accessories. See page 6 for technical and ordering information.

Model and Part Numbers for Customized Enclosures and Parts:

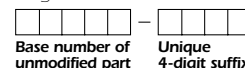


Each **customized enclosure** is assigned a model number in the following format:



Associated with this model number is a bill of materials that identifies each individual part, standard or customized, making up the complete unit. Customized enclosures may be ordered by this model number or by individual part numbers.

Each **customized part** is assigned a part number in the following format:

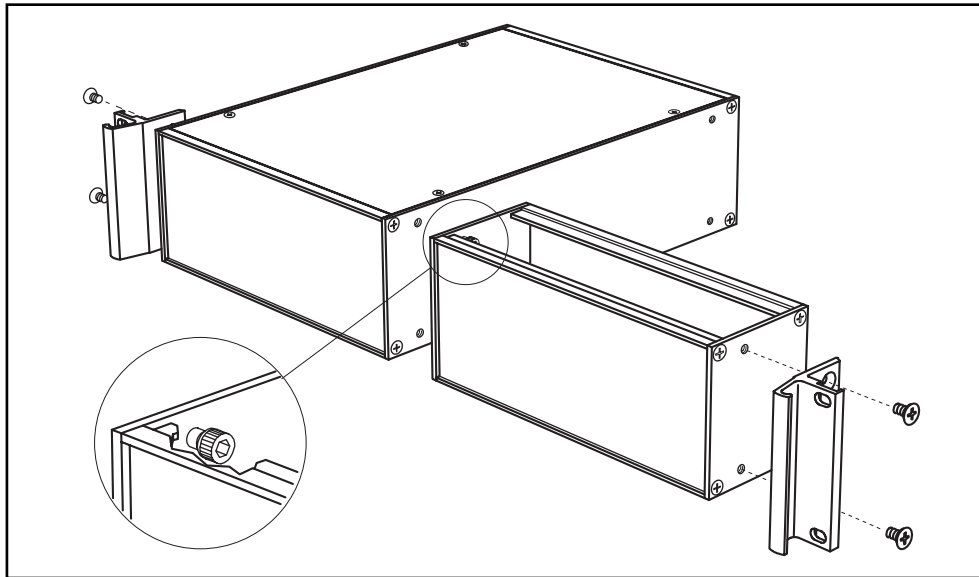


This number is assigned when an order is placed. A master drawing, used for manufacture and inspection, is then created for each part. This drawing is submitted for customer approval before the part can be manufactured.

B

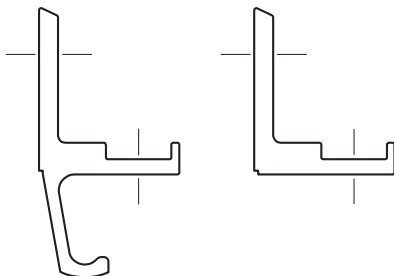
B Style GrayBox

Accessories



Rack Mounting Kits:

Mount GrayBox Enclosures in standard 19" racks. The rack mount angles are available in two styles – with and without integral handles. Each kit contains two rack mount angles and four screws.

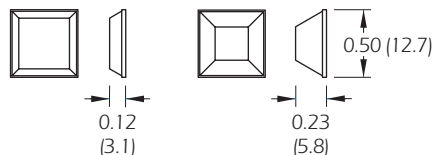


Rack Mounting Kit Model Numbers		
Height	With Handle	Without Handle
1.72 (43.7)	K1RMH-001A	K1RMX-001A
3.47 (88.1)	K2RMH-001A	K2RMX-001A
5.22 (132.6)	K3RMH-001A	K3RMX-001A

Note: Model numbers shown above have a clear anodize finish. For black anodize, change the last "A" to a "B".

Non-Skid Feet:

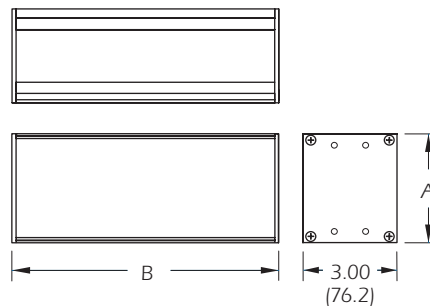
Self-adhesive black feet. Sold individually.
Model Numbers: KFT12-BLK 0.12 (3.1) tall
KFT23-BLK 0.23 (5.8) tall



Note:
Pricing for these accessories can be found on page 5 of our separate GrayBox Price List. Ordering information can be found on page 6 of that same document.

Rack Adapter Kits:

Make sub-rack width enclosures full-rack width. Each kit contains front and rear panels, two side plates, and hardware. Included are two coupling screws. Full-rack units are available for applications such as patch panels.



Rack Adapter Kit Model Numbers		
A (Height)	Half Rack B = 8.37 (212.6)	Full Rack B = 16.73 (424.9)
1.72 (43.7)	K1AD2-001A	K1AD4-001A
3.47 (88.1)	K2AD2-001A	K2AD4-001A
5.22 (132.6)	K3AD2-001A	K3AD4-001A

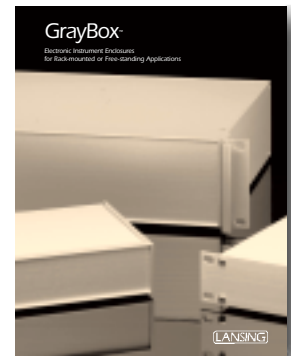
Note: Model numbers shown above have a clear anodize finish. For black anodize, change the last "A" to a "B".

Coupling Screws:

Special shoulder screws that fasten two GrayBox Enclosures side-by-side. Two screws are required at each interface. Sold individually.
Model Number: KCOUP



Refer to our **GrayBox Brochure** for detailed narrative and full-color photos.



Price List
Find GrayBox prices.

Order Form/Sample Offer
Place an order or purchase a sample GrayBox at a special introductory no-risk offer price.

Technical Support
Contact us for assistance and answers to your questions.

How to Contact Lansing

Phone:
800-847-3535
Anywhere in the U.S. or Canada
607-272-3265

Fax:
607-277-1953

Visit our website:
www.lansing-enclosures.com

E-mail:
info@lansing-enclosures.com

Mail:
Lansing Instrument Corp.
PO Box 730
Ithaca, NY 14851-0730

